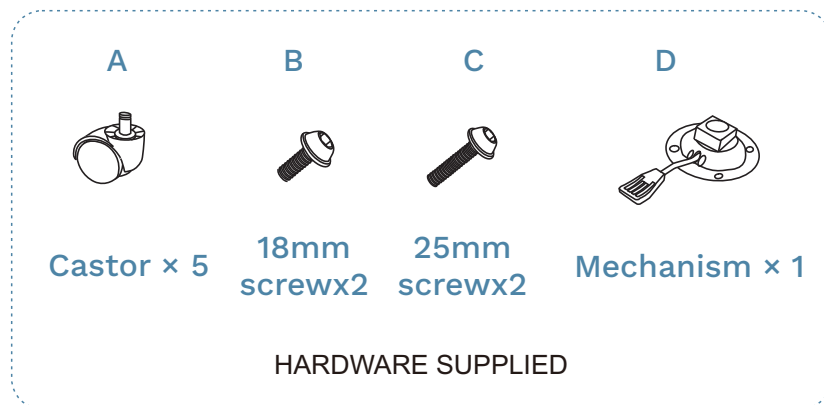


Stevie Desk Chair

Thank you for purchasing a Mocka Stevie Desk Chair. Please follow the manufacturer's assembly instructions in detail to ensure the safety features of the Chair are not compromised.



For quicker assembly, we recommend use a screwdriver.

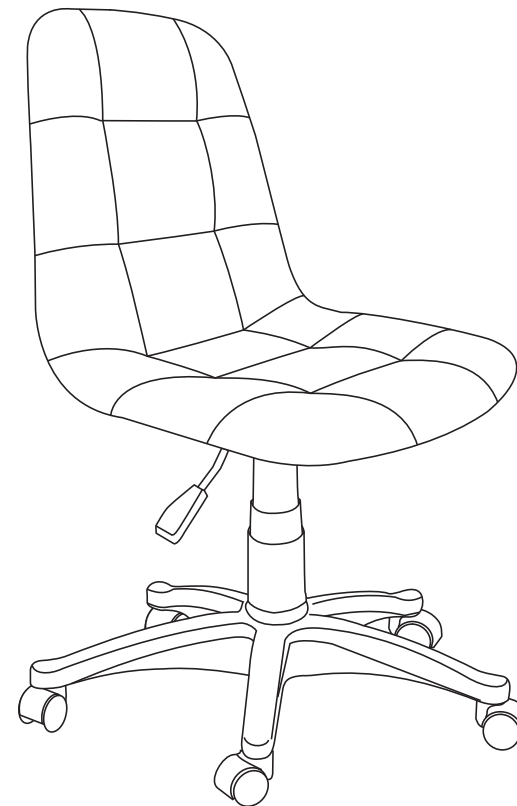
SOFT TYRED CASTORS ARE SUITABLE
FOR USE ON HARD FLOORS & FIRM CHAIR MATS

CARE INSTRUCTIONS

1. VACUUM REGULARLY WITH SOFT BRUSH ATTACHMENT
2. REMOVE ALL LIQUID AND FOOD SPILLS IMMEDIATELY ONLY WITH CLEAN, DAMP, UNDYED WHITE CLOTH
3. DO NOT USE ABRASSIVES OR COMMON HOUSEHOLD DETERGENTS
4. PROTECT FROM DIRECT SUNLIGHT & HEAT

WEIGHT LIMIT – 80 KGS

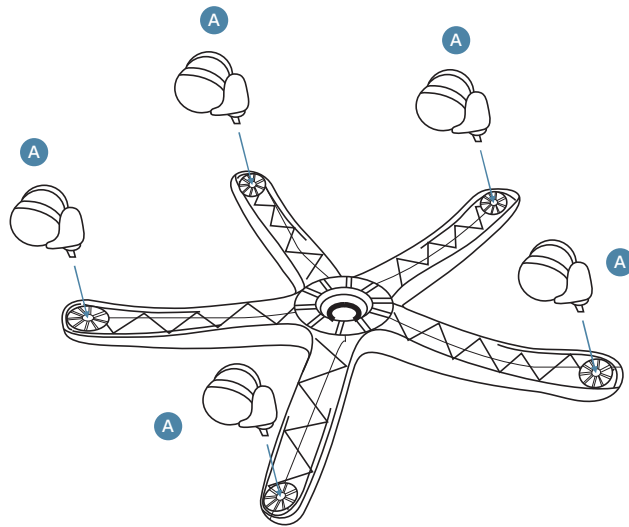
mocka.co.nz | mocka.com.au | PO BOX 18, Pinkenba QLD 4008



Mocka.

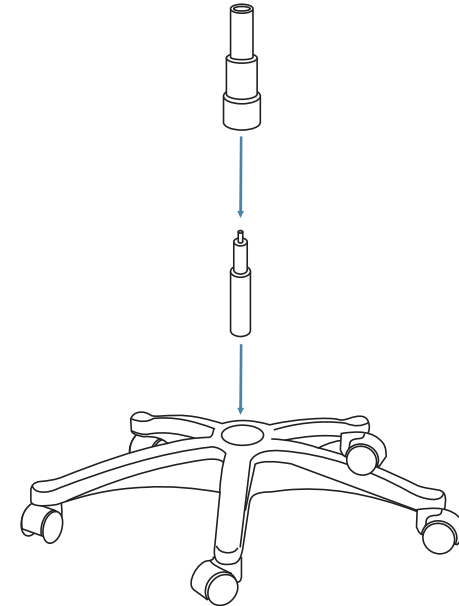
Stevie Desk Chair

1



Insert 5 x castors (A) into the base.

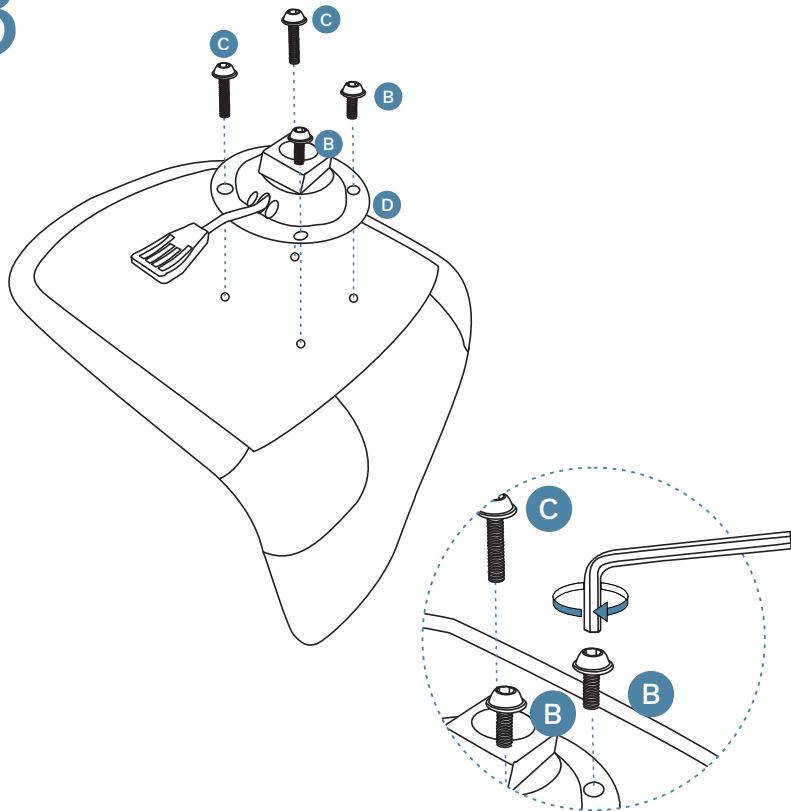
2



Insert the gas lift into the base, then put three-cup cover into the gas lift.

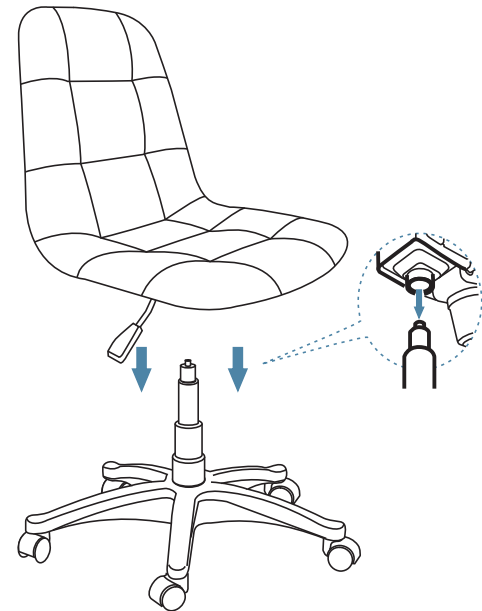
Stevie Desk Chair

3



Attach mechanism (D) to the seat with 2 × screws (B) and 2 × screws (C), tighten with a screwdriver.

4

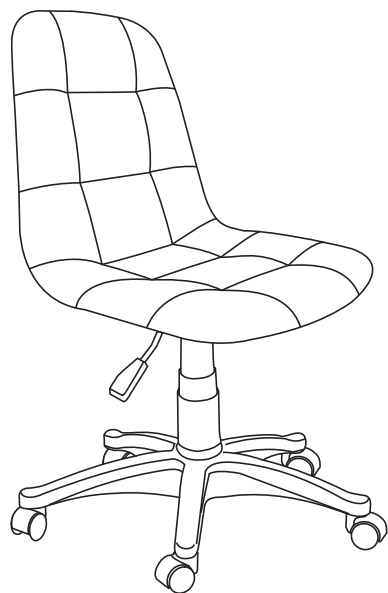


Attach the mechanism to the gas lift.

Stevie

Desk Chair

5



You`re done, enjoy!